

Specification sheet LX 1908

LORO-X DUOSTREAM[®] Distant Cascade drainage

or roof terrace for the installation within the insulation layer

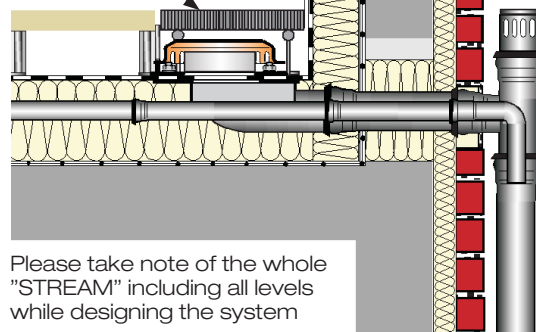
Emergency drainage

Gravity flow

Silent

Discharge rate:	max. 4,5 l/sec
Water height:	75 mm
Roof penetration:	-
Diameter:	DN 100
LX-Number:	LX 1908
Weir height:	35 mm
Drain:	ventilated
Downpipe:	ventilated
Downpipe height:	min. 2,5 m
Drainage:	on floor
Flange:	clamping flange

Discharge of the roof terrace

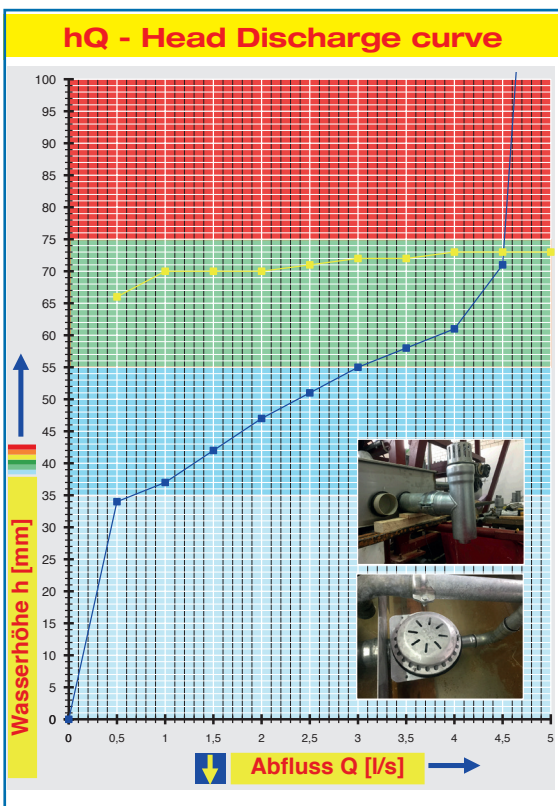


Please take note of the whole "STREAM" including all levels while designing the system

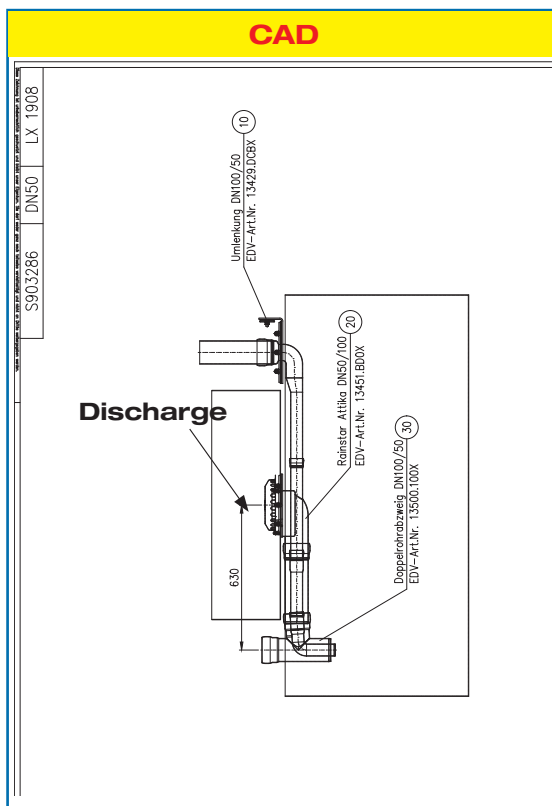
LX 1908 Piece list

- 1 x Art.-No. 13451.BD0X Cascade drainage multi-storey drain
- 1 x Art.-No. 01401.100X Pipe with one socket
- 1 x Art.-No. 01401.050X Pipe with one socket
- 1 x Art.-No. 13500.100X Cascade drainage roof terrace deflection
- 1 x Art.-No. 13217.100X Ventilation piece for downpipe ventilation
- 1 x Art.-No. 13429.DCBX, Cascade drainage roof terrace deflection

- 1 x Art.-No. 13235.100X Sliding flange
- 4 x Art.-No. 00911.050X Sealing elements
- 2 x Art.-No. 00911.100X Sealing elements
- 1 x Art.-No. 00986.000X Lubricant



Systempower



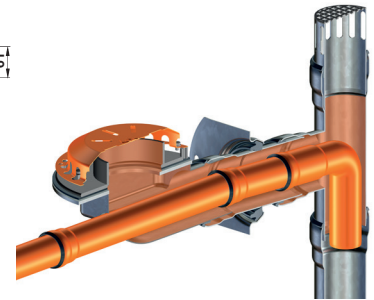
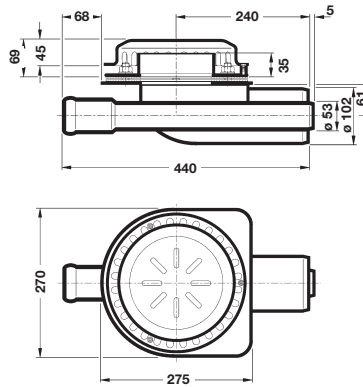
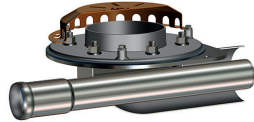
Systemshape

Water height	mm	10	15	20	25	30	35	40	45	50	55	60	65	70	75	80	85
Discharge	l/sec	-	-	-	-	-	0,7	1,3	1,8	2,4	3,0	3,8	4,2	4,4	4,5	4,5	4,5

For the installation of the collector pipe within the insulation layer

LX1908-4X

Series 88
LORO-X DUOSTREAM®-Distant multi-storey Emergencny drain
 Drainage of the roof terrace (DN 100)
 Feed-through of the upper floors (DN 50) with congestion element
 Art.-No. 13451.BD0X
 Weight: 6,7 kg



LORO-Branch with bend - Pipe in Pipe-

for redirecting the overpressure flow in the following downpipe, made of galvanized steel

Art.-No. 13500.100X
 Weight: 3,1 kg



Art.-No. 13550.100X
 Weight: 2,6 kg
 short version for small distance to the parapet



LORO-X Ventilation piece

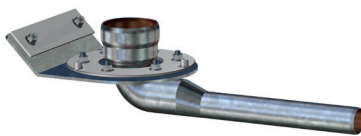
for downpipe ventilation, made of galvanized steel, DN 100

Art.-No. 13217.100X
 Weight: 0,7 kg



LORO-X DUOSTREAM® cascade drainage roof terrace deflection

from downpipe (DN 100) into offset over roof terrace (DN 50) made of galvanized steel, DN 100/50
clamping flange 45°
 Art.-No. 13430.DCBX



LORO-X DUOSTREAM® cascade drainage roof terrace deflection

from downpipe (DN 100) into offset over roof terrace (DN 50) made of galvanized steel, DN 100/50
clamping flange 90°
 Art.-No. 13429.DCBX



LORO-X Pipe with one socket,

made of galvanized steel length 250 mm
 Art.-No. 01401.050X
 Art.-No. 01401.100X



LORO-Sealing elements

Art.-No. 00911.050X
 Art.-No. 00911.100X